

## CONTENTS

### 1.0 Alarm Relay

- 1.1 Operation
- 1.2 Wiring
- 1.3 Install - Verify

### 1.0 Alarm Relay

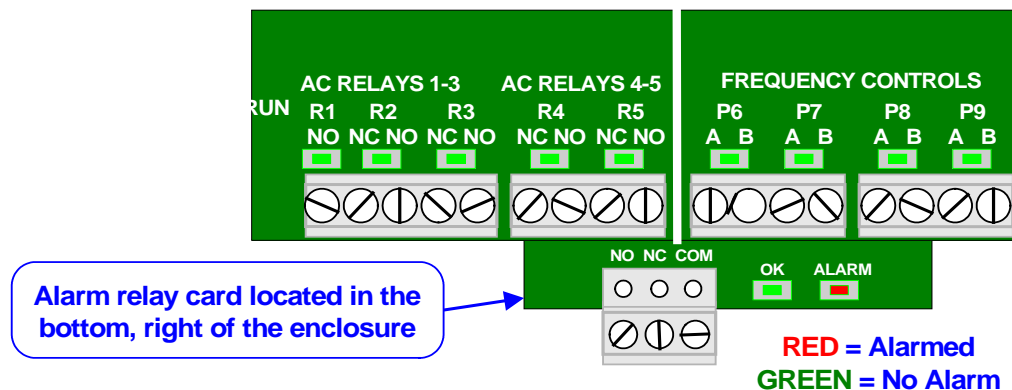
#### 1.1 Operation

The Alarm Relay dry contact set changes state when:

1. Any controller sensor, meter, contact set, pump, valve or system alarm occurs.
2. When the controller loses AC power.

The Alarm relay has both NC (Normally Closed) & NO (Normally Open) dry contacts. When an Alarm occurs the to NC-to-COM circuit opens and the NO-to-COM circuit closes.

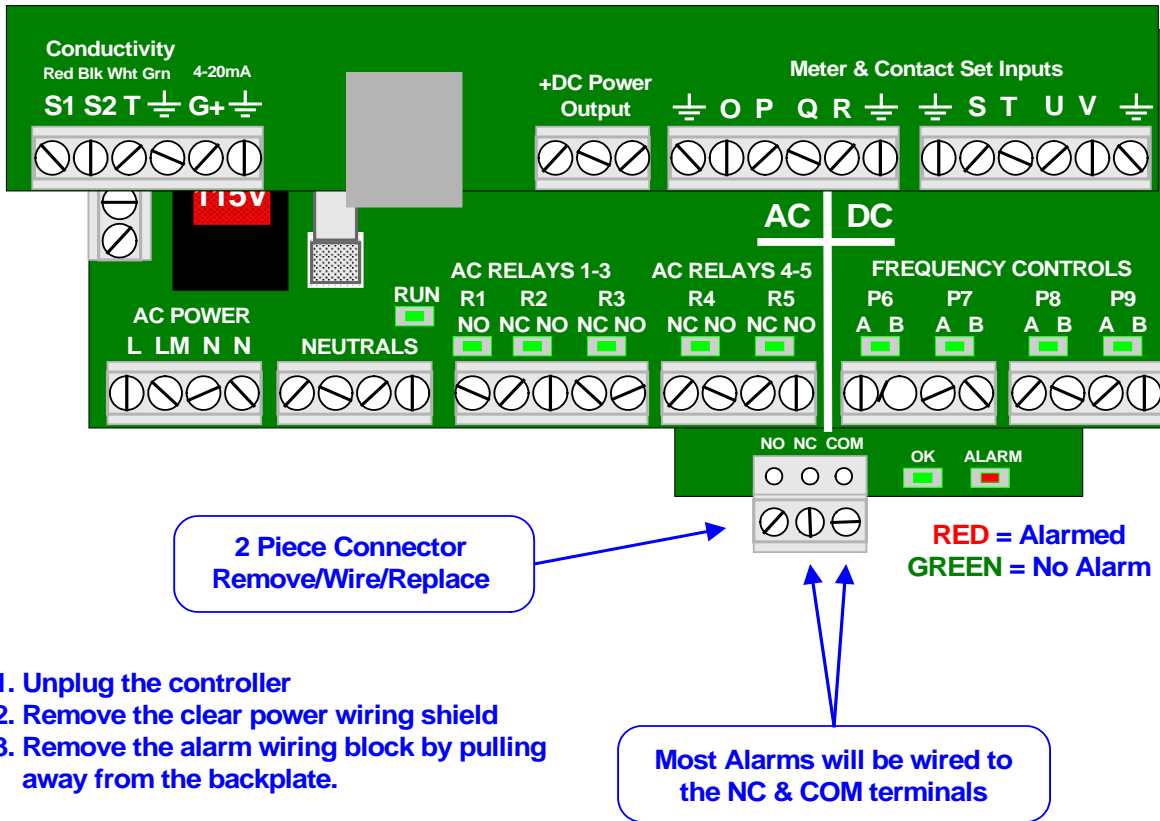
The Alarm dry contacts are rated 250mA @ 250VAC, 500mA @ 125VAC and 2Amps at 30VDC.



1.2 Wiring

The Alarm relay wiring block is rated for AWG 14-26, 300V & 10A  
 Most alarms to monitoring DCS (Distributed Control Systems) will be wired AWG18-22.

Inside the Enclosure



Best practice is to wire the alarm to the NC & COM contact set which will open on Alarm.  
 Loss of controller AC power, a cable break-disconnect and an actual controller alarm will all result in an alarm.

### 1.3 Install Verify

#### 1.3.1 Install

**Parts required:**

1. Aegis\_AD alarm relay card
2. 12”to18” ribbon cable with socket connectors (Digikey H3AAH-1018-ND or equivalent)
3. Two #6-26 ‘Nylok’ hex nuts

Verify that the upper, Measure Aegis circuit board has an installed 10 pin ribbon cable ‘Modem’ socket above the LCD display (Digikey A33159-ND or equivalent).

**Install sequence:**

1. Unplug controller AC power & remove the clear AC shield.
2. Connect the flat cable to the Aegis\_AD card ensuring the **RED** side of the cable aligns with the **RED 1** text on the Aegis\_AD card.
3. Place the Aegis\_AD on the 3 existing backplate studs under the power circuit board.
4. Plug the other end of the ribbon cable into the measure circuit board Modem socket with **RED** side to the left.
5. Install 6-32 hex ‘Nylok’ nuts on the front two Aegis\_AD mounting screws.
6. Replace the AC shield & plug in the controller AC power.

**Note:**

Because the Aegis\_AD uses the controller Modem connector, the modem and alarm relay controller options are mutually exclusive.

#### 1.3.2 Verify - Browser

Browse the controller at any password level and select

**System / Diagnostic.**

**Alarm Relay** will be **Yes** if the controller locates the Aegis\_AD card at power ON.

The **Alarm Relay** line of the **Diagnostic** page exists in firmware Versions A889 & M889 (Modbus option) from 08/09.

Parameter	Value
Serial number	A086X0421
Firmware Version	A889
Relay Fuse	OK
Watchdog Resets	0
Factory Reset	12:00:00 01/01/08
Admin Password	Default
Internal 2.5V	2523.2 ( 0.99079 ) mV
15VDC Power	17.5 V
Ethernet	Yes
Alarm Relay	Yes

**REFRESH**

1.3.2 Verify - Keypad

Key **ENTER** @ power ON screen.  
Or Key **EXIT** until you get to this screen

Key **ENTER** @ **Diagnostic.**

Key **UP** @ **Relay Fuse.**

**Alarm Relay** will display **Yes**  
if the controller has detected the Aegis\_AD card on  
power up or **No** if the card is not installed.

**Alarm Relay Yes/No**

Thu 16: 54: 10 ←↕  
S/N: A076X0486



Di agnosti c ←↕  
Communi cate ↓



Rel ay Fuse  
OK ↕



Al arm Rel ay  
Yes ↕